

Mount Adapter - INSX111

Material: Aluminum

Dimensions: 60mm x 49mm

Color: White

Type of Installation: Adapter

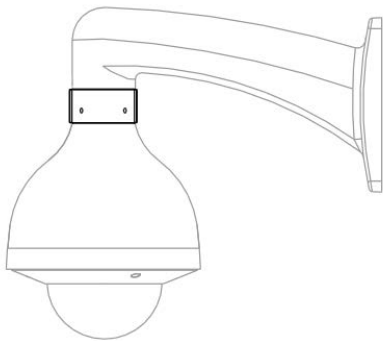
Net Weight: 0.25kg

Load Bearing Capacity: 7.0kg

Work with: INSX300



Applications



Work with:



INSX300

Dimensions (mm)

